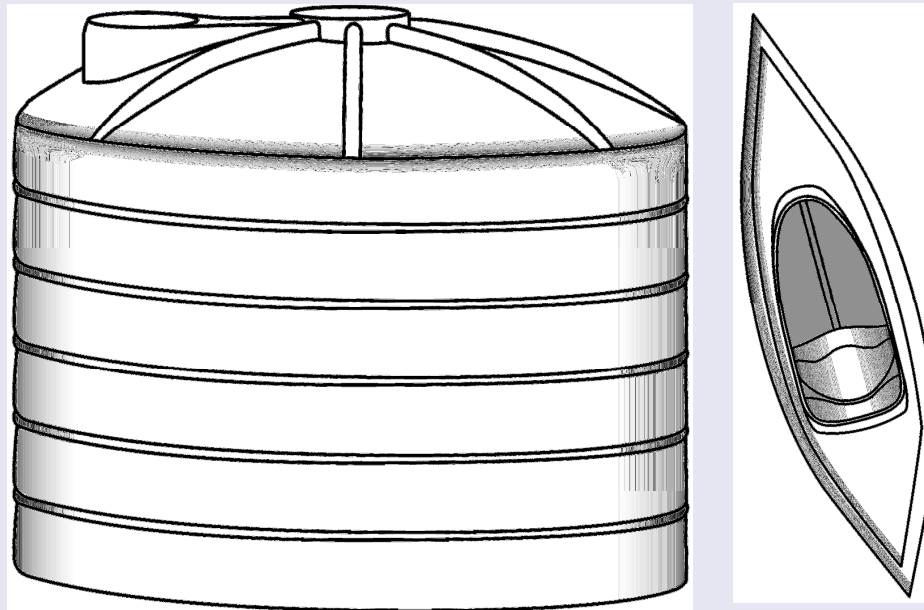


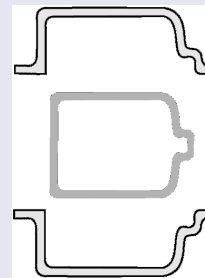
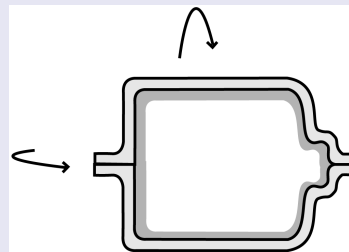
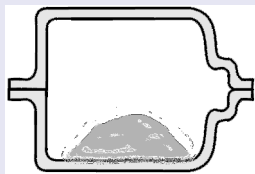
## Rotational Moulding

- a way to make enclosed, hollow shaped products
- used to produce a very wide range of shapes and sizes of hollow products

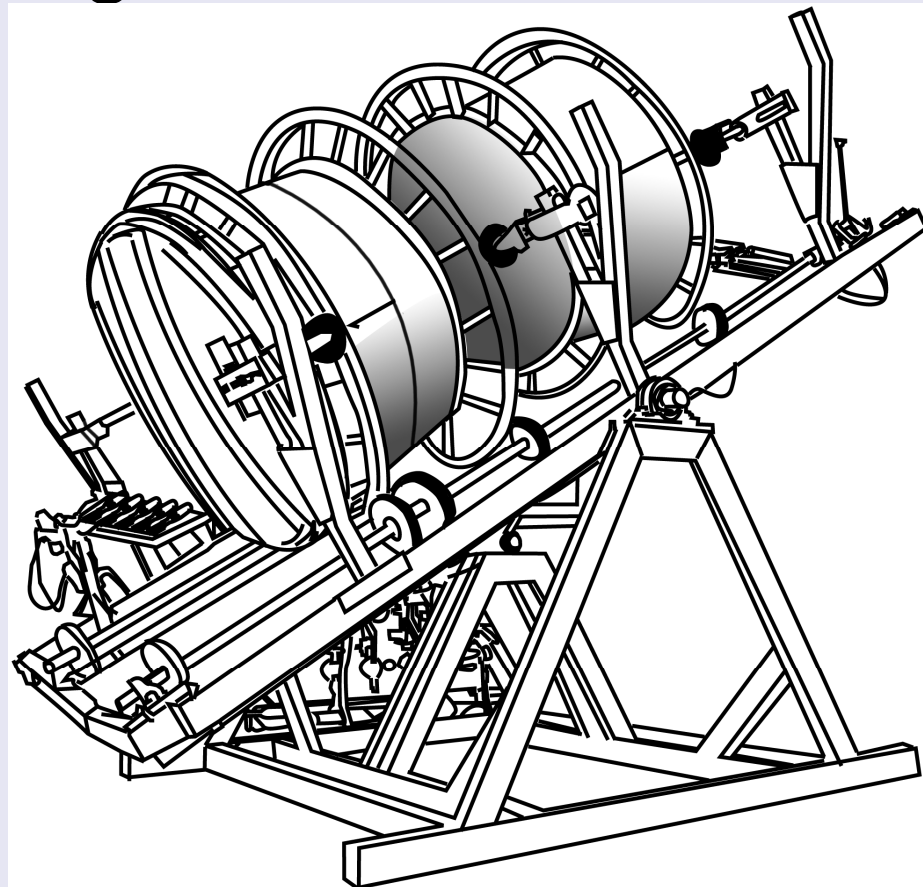


## Rotational Moulding

- uses a measured amount of powdered plastics material in a mould
- the mould is closed and then rotated inside an oven
- the plastic melts and takes up the shape of the inside of the mould
- the mould is then cooled while it is still rotating
- the mould is stopped, opened and the product removed

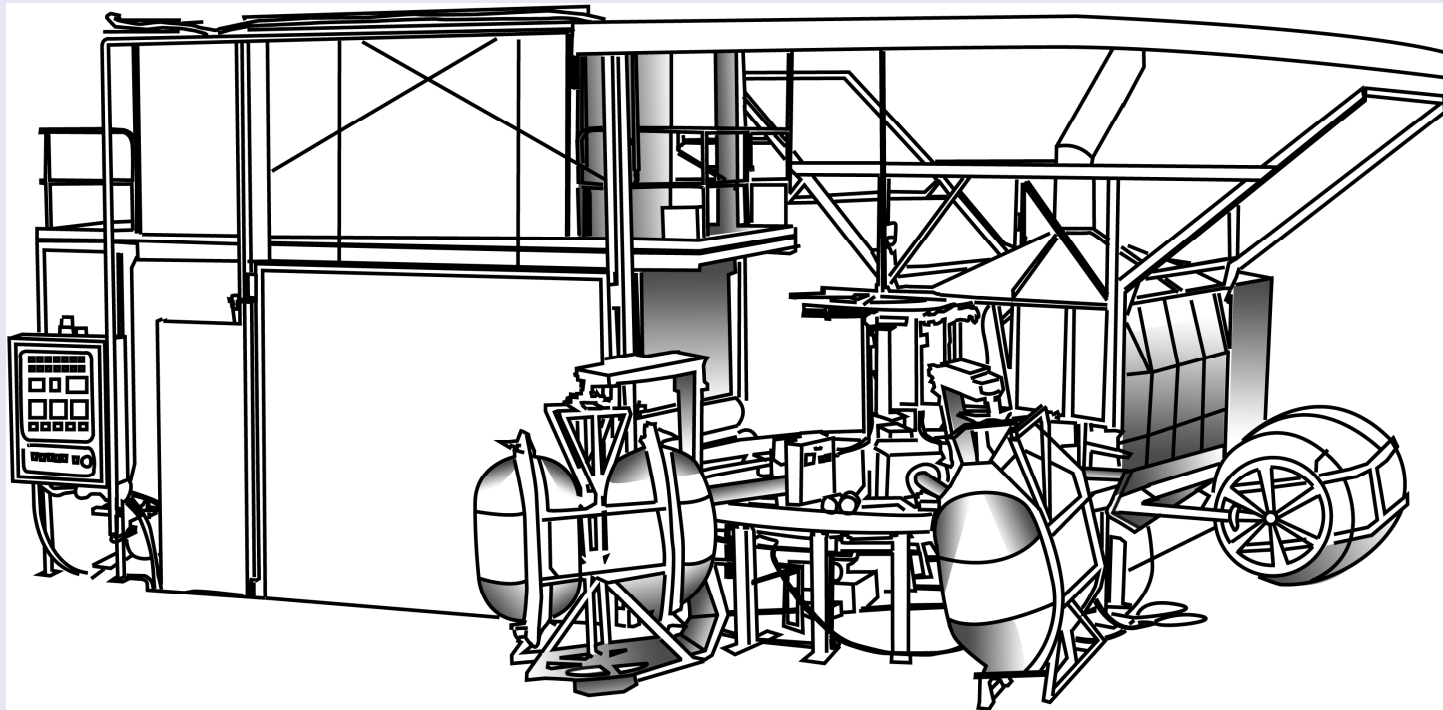


## Rotational Moulding Machine



Rock and roll machine

## Rotational Moulding Machine



Carousel machine